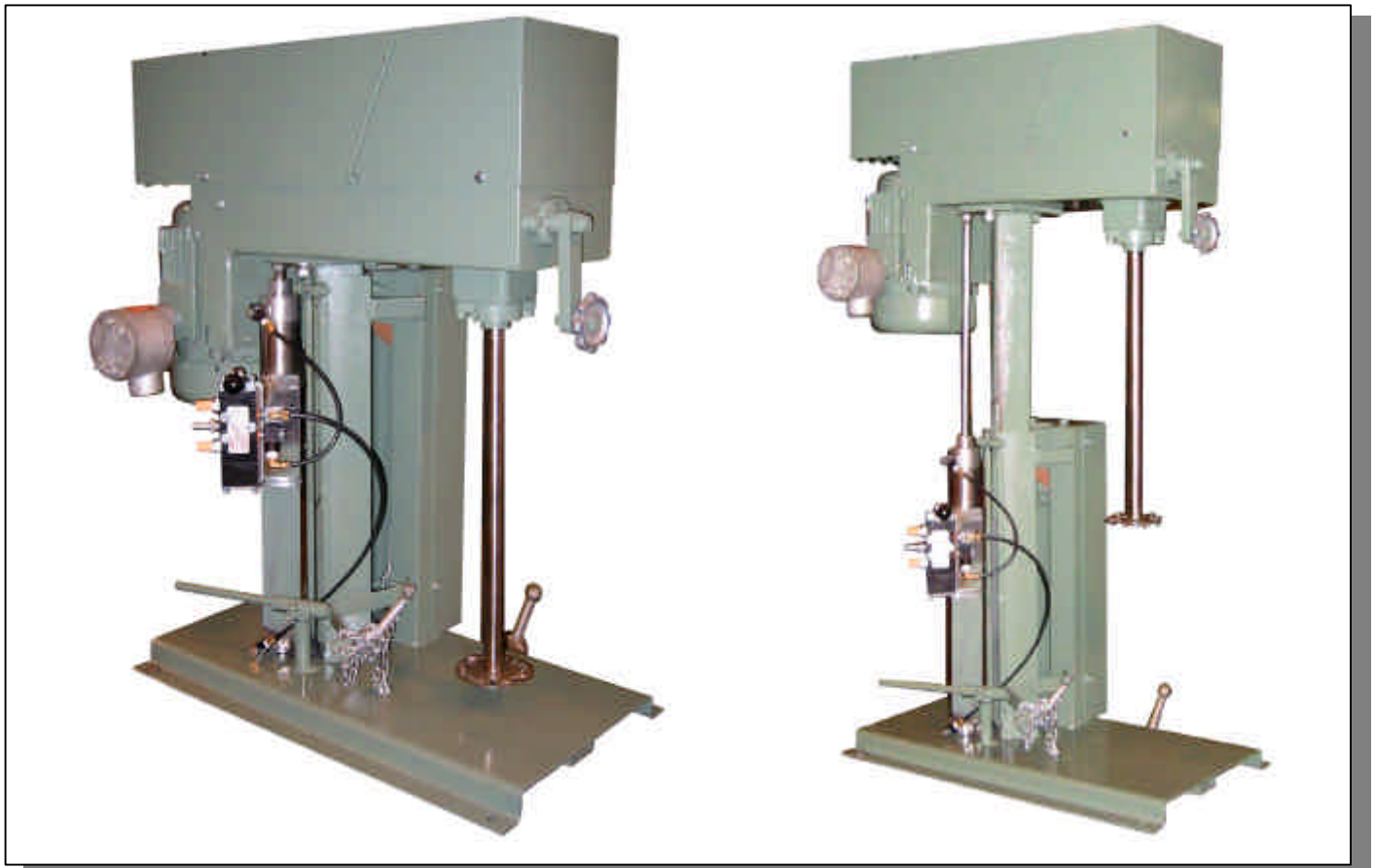
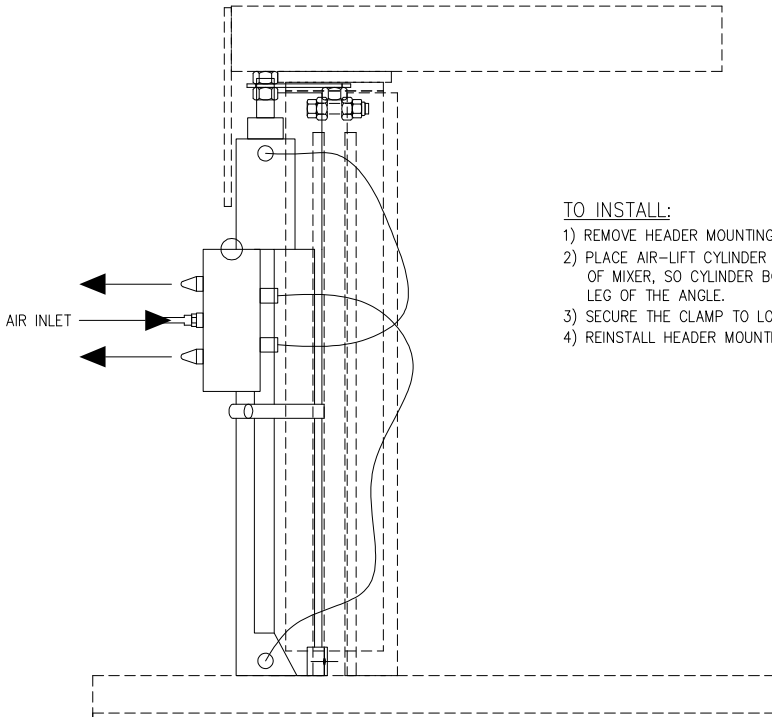
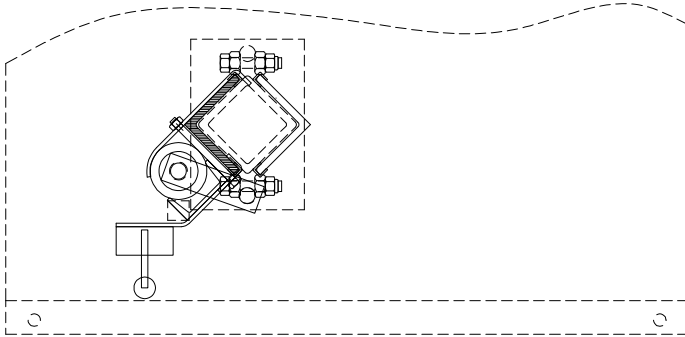


# Myers Lab Size Air Lift Conversion!

Convert hand-lift lab units into airlift units with ease! Using an easy 2-bolt clamp to the existing column you can convert your existing lab unit to be equipped with an airlift. With an installed airline it can be raised and lowered using a single handle air valve. For more information call or e-mail us!



8376 Salt Lake Ave, Bell, CA 90201-5816  
Phone (323) 560-4723 Fax (323) 771-7789  
[sales@myersmixer.com](mailto:sales@myersmixer.com)      [www.myersmixer.com](http://www.myersmixer.com)



TO INSTALL:

- 1) REMOVE HEADER MOUNTING'S BOLT (NEAR SIDE ONLY).
- 2) PLACE AIR-LIFT CYLINDER ASSY. TO THE BASE OF MIXER, SO CYLINDER BODY FLUSH TO THE INNER LEG OF THE ANGLE.
- 3) SECURE THE CLAMP TO LOWER COLUMN.
- 4) REINSTALL HEADER MOUNTING'S BOLT.