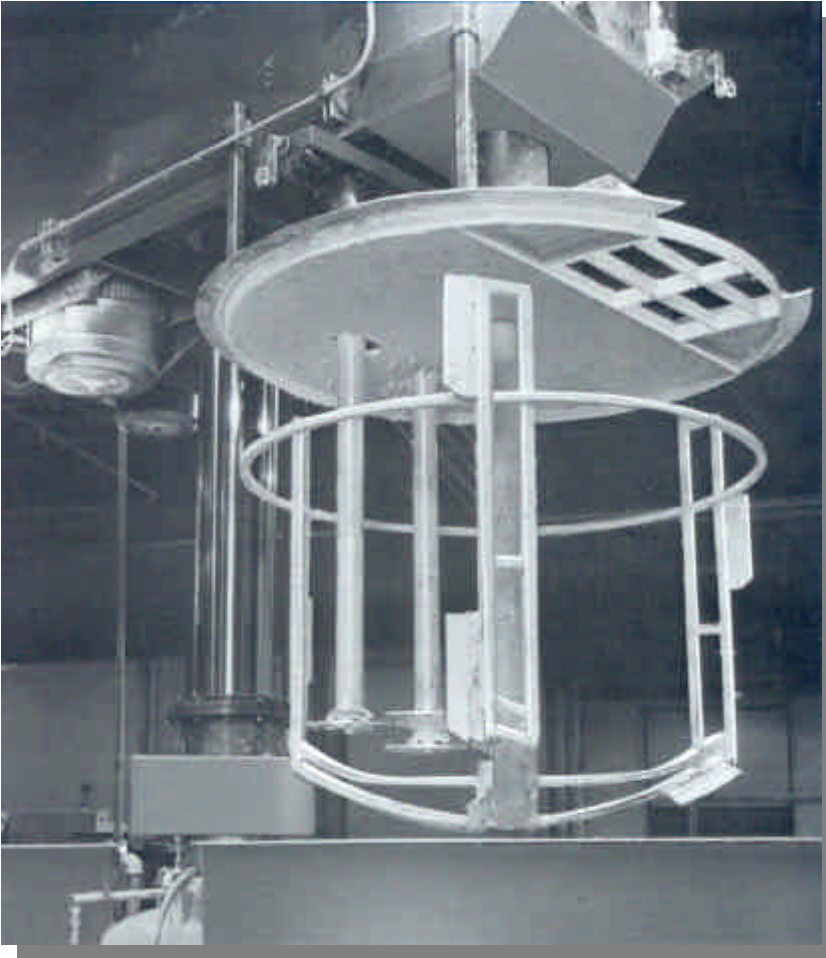




Engineering, Inc.

The first name in mixers and dispersers

The Combination 550/850 Series



**The world's
most powerful
disperser!**

**3 shafts
5 impellers**

The 550/850 Series machine is the logical combination of the Myers famous 550 and 850 dispersers. The 550 is designed for high viscosity products. The slow speed sweep impeller starts the mass flowing and moves it into the single high-speed dispersing blade.

The 850 with overlapping high speed impellers was designed to give extra fine

dispersion, often eliminating sand milling, on low to medium viscosity batches.

By combining these two machines you get extra fine dispersion. Fast - even with high viscosity products.

Available in various drives systems and horsepowers.

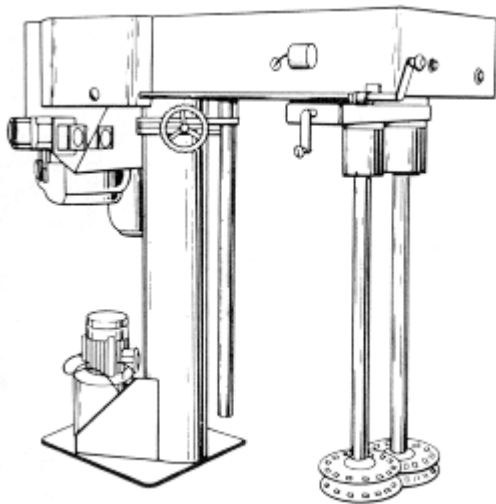


Engineering, Inc.

The first name in mixers and dispersers

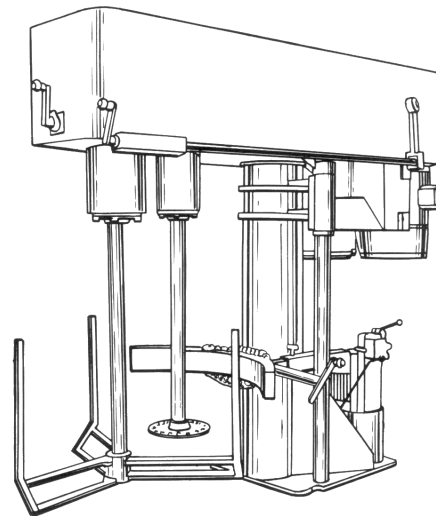
**It was bound to happen! Now it's here!
A disperser that combines...**

***The extra fine grind of
the Myers 850 Series...***



Dual-Shaft High-Speed Disperser has overlapping impellers that pass each other in opposite directions. Shaft positions are adjustable for customer's exact needs. Super sheer action is faster and often reduces the need for a secondary sand mill operation. One or two motors. 10 to 100 HP variable speed for each shaft, or 5 to 200 HP multi-speed on one or both shafts. Rim speeds up to 5500 feet per minute.

***With high viscosity capacity
of the Myers 550 Series....***



Dual-Shaft/Dual-Range Disperser. The most famous machine in the Myers line. High-speed impeller (up to 5500 feet per minute tip speed) disperses while the large slow speed open impeller (400 to 1,200 feet per minute) keeps the extra viscous product flowing. One or two motors. 5 through 100 HP. Each shaft has variable speed. Disperses products formerly processed only by slower, more expensive methods.

See catalogue sheets 550-1, 550-2, 550-V, 850 and technical bulletins #1, #2 and #3 for further details on the series 850 and 550 Myers dispersers. Note: the powerful fine grind 550/850 is available in tank mounted and vacuum units but without opening and closing of the high speed 850 dual shafts. These shafts are in a fixed overlap position on the tank mounted or vacuum 550/850.