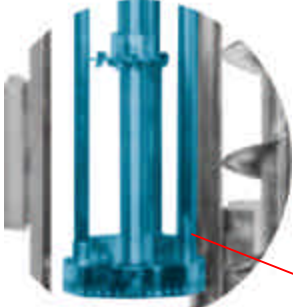




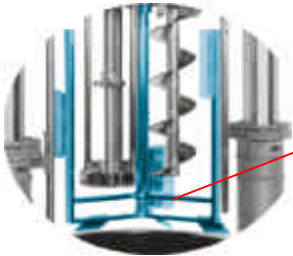
Engineering, Inc.

The first name in mixers and dispersers

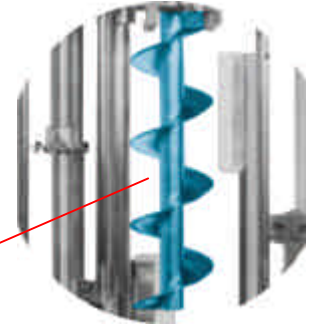
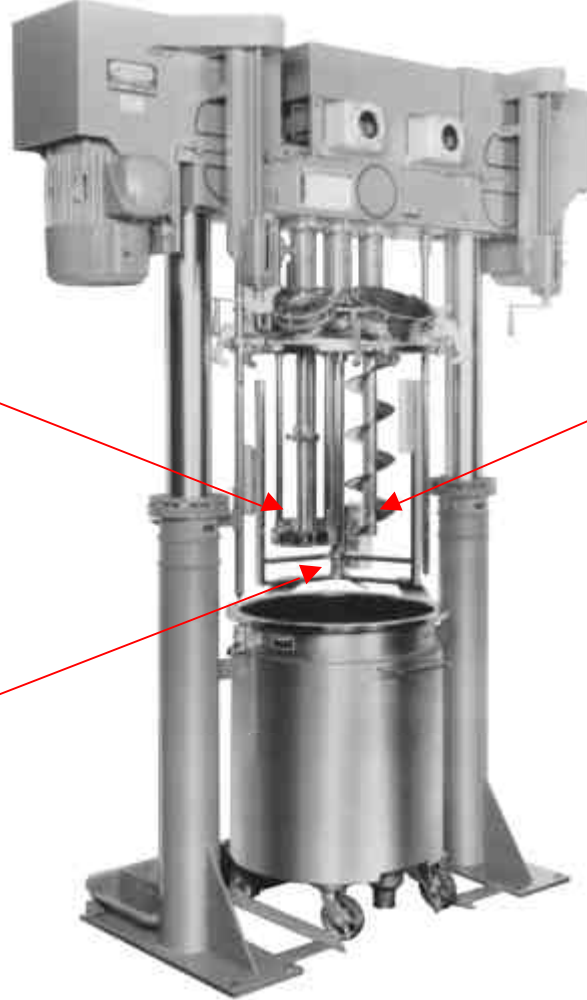
From Caulk to Cold Cream



Specially designed rotor/stator emulsifier provides high-shear, close tolerance mixing. Dramatically reduces mixing cycle time. Mid-shaft impeller helps integrate powders into mix.



Low-profile sweep impeller gets the material flowing in the mixing chamber. Integral wipers clean mixing vessel sidewalls and assure optimum heat transfer.



Powerful auger provides rapid vertical mixing, either up or down, at variable speed. Offers vertical batch control, faster loading, faster de-aeration, and lower maintenance. Superior to planetary and other vertical mixers.

Myers Tri-Shaft Mixer-Disperser-Emulsifier Handles Them All!

For liquid-liquid or liquid-solid multi-shear mixing and dispersing, Myers' tri-shaft system has no equal! No matter how viscous or resistant the mix materials are, you get a smooth and homogenous product in the minimal time with high thermal efficiency. Ideal for use in the chemical, plastics, paint, rubber, pharmaceutical, and food processing industries.

THREE-STAGE OPERATION - A broad choice of impellers on three different shafts handles viscosities greater than one million centipoise. A typical combination includes a low-speed Myers Engineering impeller, an efficient auger, and a high-speed impeller-disc, radial pumper, or a rotor/stator emulsifier.

EFFICIENT AND VERSATILE - The impellers are lowered and raised hydraulically. For convenience in discharging the product, the entire mixing chamber can be elevated hydraulically. A hydraulic power supply and controls for operating the lift are located in a separate console. Chamber capacity, motor horsepower, shaft speeds, impeller combinations, and construction materials can be selected to meet your application.

INTEGRITY AND RELIABILITY - Through innovative design and unyielding quality control, Myers has become the world's top manufacturer of mixers and dispersers. We're family owned and stand behind every product that carries our name.