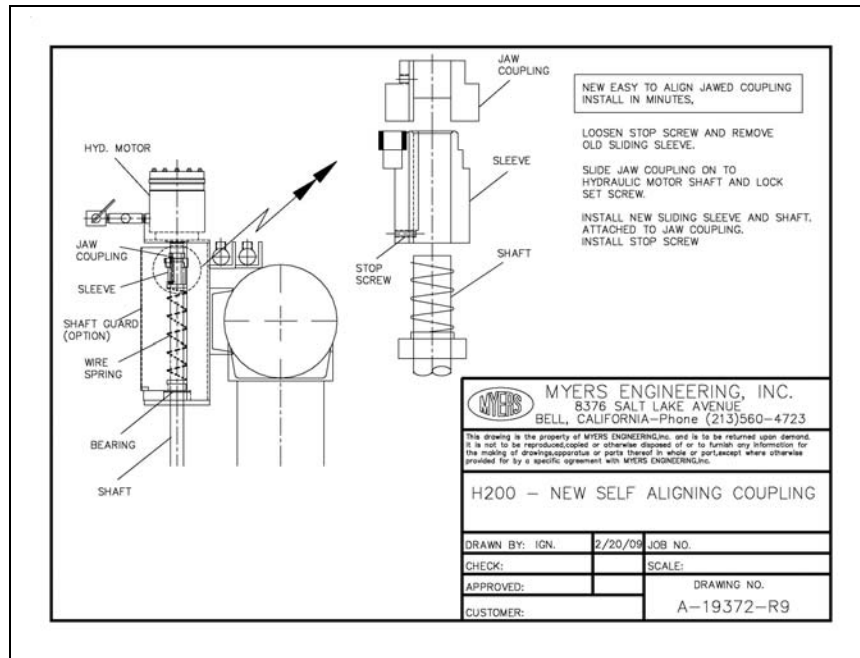
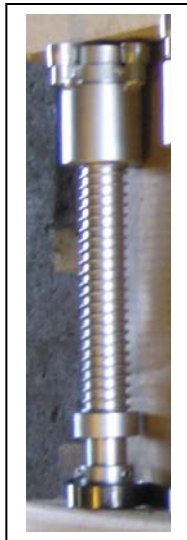




**MYERS SIMPLIFIES SHAFT ALIGNING PROCESS AND INCORPORATES SHAFT GUARD DESIGN**

**Myers H-200 mixer users will find shaft aligning easier than ever.**



**Install the new easy to align jawed coupling in minutes. Reduce down time during maintenance or shaft replacement procedures.**



**SHAFT GUARD AND COUPLING**

**An easily operated shaft guard guarantees safe operation.**

**Shaft guards and new style shaft aligning couplings can be added to existing field installations.**



*Myers Engineering is a world leader in the design and manufacture of mixing and dispersing equipment. With over sixty years of engineering innovation, technology and experience, Myers produces some of the most effective mixing equipment within our industry. Products: High speed, high shear mixing and dispersing equipment in primary industries such as: paint, ink, adhesive and sealants, rubber, electronic and other composite materials, food, personal products, and many more.*

**Myers Engineering, Inc., 8376 Salt Lake Avenue, Bell, CA. 90201  
323.560.4723 Phone \* 323.771.7789 Fax Email: sales@myersmixer.com**